

SUBMITTAL/TECHNICAL DATA SHEET



DESCRIPTION

Fire-Rated Uninsulated Access Door provides access through openings in fire-rated vertical surfaces.

FEATURES

- Fire-Rated
- Self-Closing
- Wall Installation Only
- Custom Sizing

SPECIFICATIONS

MODEL: BUT/BUW/BUP

DOOR: 14 gauge Steel

FRAME: 16 gauge Steel

SIZE:

Min: 6 inches by 6 inches
 BUT: Max: 24 inches by 72 inches or 48 inches by 48 inches
 BUW/BUP: Max: 36 inches by 48 inches

INSTALLATION: Wall

FLANGE: 1 inch Exposed, Drywall Bead or Plaster Bead

HINGE:

BUT: Flush Continuous Piano
 BUW/BUP: Concealed Pin

CERTIFICATION: UL listed "B" label for 1-1/2 hours

FINISH: White Powder Coat

WARRANTY: 1 year

OPTIONS: Flanges, Latches, Materials, Gaskets, Anchors



SKU: **B UWK**

UNINSULATED FIRE RATED ACCESS DOOR

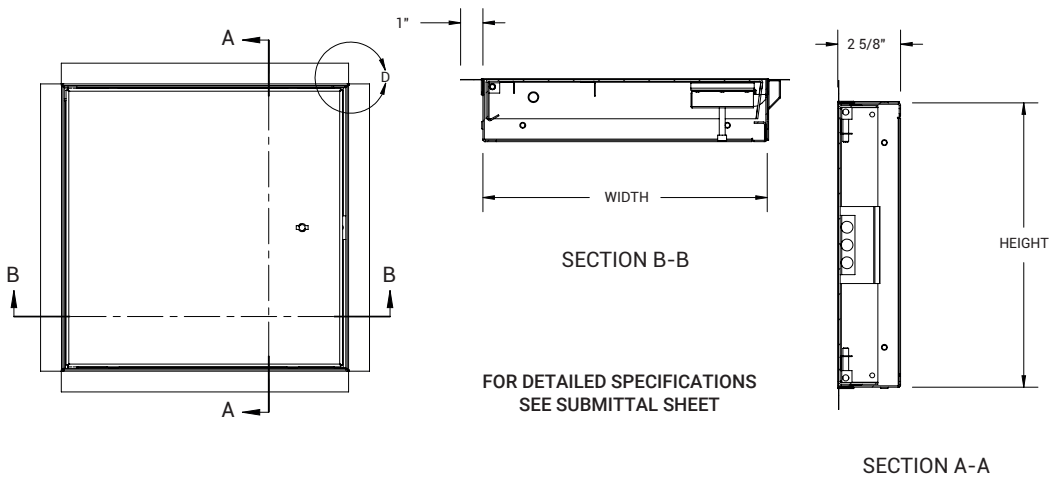
DIMENSIONS AND APPEARANCE

>> CLICK TO VIEW ADDITIONAL DETAILS AND PRICING <<

ORDER GUIDE:

BASE	FLANGE	LATCH	WIDTH	X	LENGTH	OPTIONS
BU						
	T 1 inch Flange	K Knurled Knob / Key Operated Latch Bolt	STANDARD SIZES (W X L)			B Galvannealed
	W Drywall Bead	M Mortise Lock (1-1/8" Prep)	8" X 8"	18" X 18"	24" X 30"	G Gasketing
	P Plaster Bead		10" X 10"	18" X 24"	24" X 36"	M Masonry Anchors
			12" X 12"	20" X 30"	24" X 48"	S Type 304 Stainless Steel
			12" X 18"	22" X 22"	30" X 30"	
			12" X 24"	22" X 30"	32" X 32"	
			14" X 14"	22" X 36"	36" X 36"	
			16" X 16"	24" X 24"	36" X 48"	

Rough opening is door size + 1/4 inch minimum. Additional sizes available, call for more information.



For a complete list of options visit www.AccessDoorsAndPanels.com

PROJECT DATA

Custom Sizes Available - Fast!

PROJECT NAME :	QTY	W	H	OPTIONS
ARCHITECT :				
DEALER :				
CONTRACTOR :				
LOCATION :	SPECIAL INSTRUCTIONS :			
DATE :	SUBMITTAL APPROVAL : (signature or stamp)			
TAGGING INSTRUCTIONS :				

Scan or Click



To view Pricing and Additional Product Info.

TELEPHONE:
1-888-457-1275
FAX:
1-888-626-2907



PO BOX 66738 #76520,
SAINT LOUIS, MO
63166-6738
USA

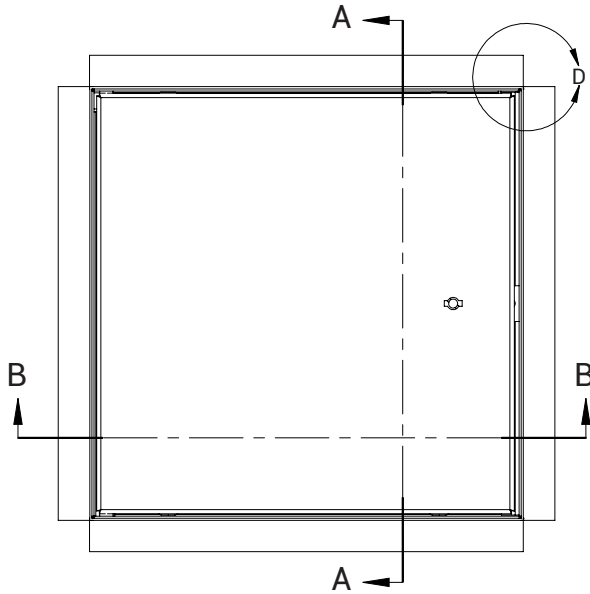


WEBSITE:
www.AccessDoorsAndPanels.com
E-MAIL:
info@AccessDoorsAndPanels.com



B UWK

INSULATED FIRE-RATED SECURITY ACCESS DOOR



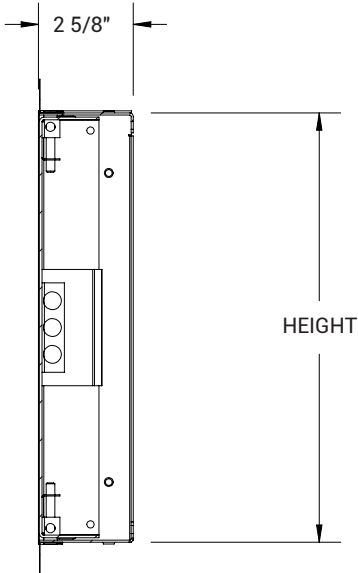
NOTES:

- ① FRAME:
- ② DOOR: Cold Rolled Steel, 14 ga
- ③ FINISH: White Powder Coat
- ④ HINGE:
- ⑤ SECONDARY LATCH: Varies
- ⑥ LOCK: Knurled Knob/Keyed Slam Latch

OPTIONS:

- Gasket Installed (G)
- Masonry Anchors (M)

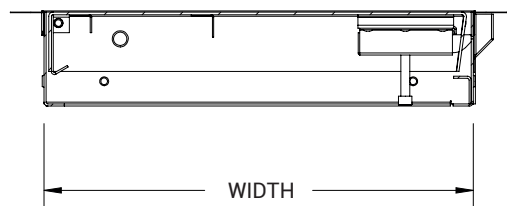
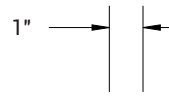
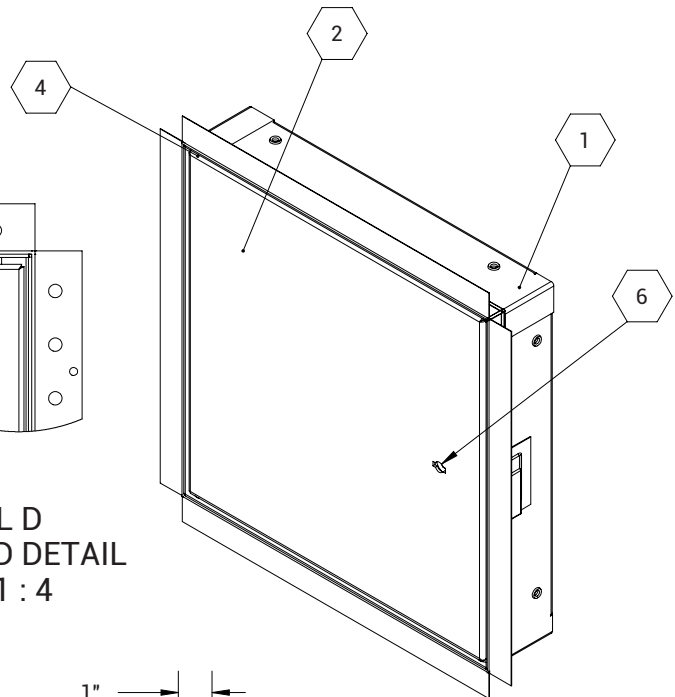
ROUGH OPENING: $W + 0.25" \times H + 0.25"$
CLEAR OPENING: $W - 2.375" \times H - 1.125"$
DEGREE OF OPENING: 120°



SECTION A-A

DETAIL D
DRYWALL BEAD DETAIL
SCALE 1 : 4

VERTICAL
1-1/2 HOUR "B" LABEL



SECTION B-B



B UWK

INSULATED FIRE-RATED SECURITY ACCESS DOOR

